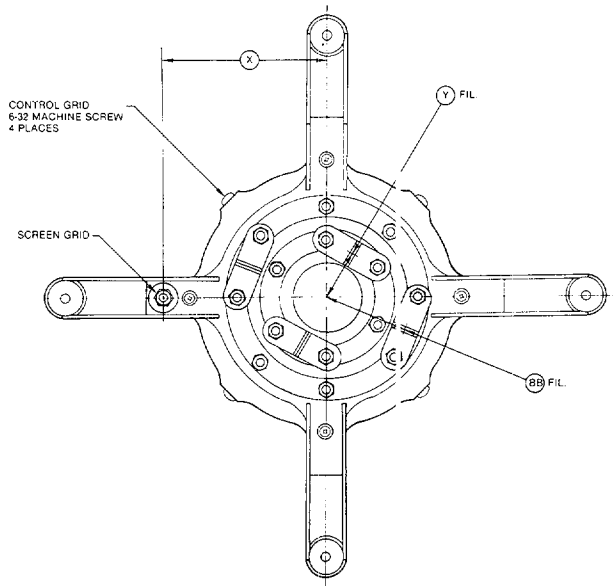
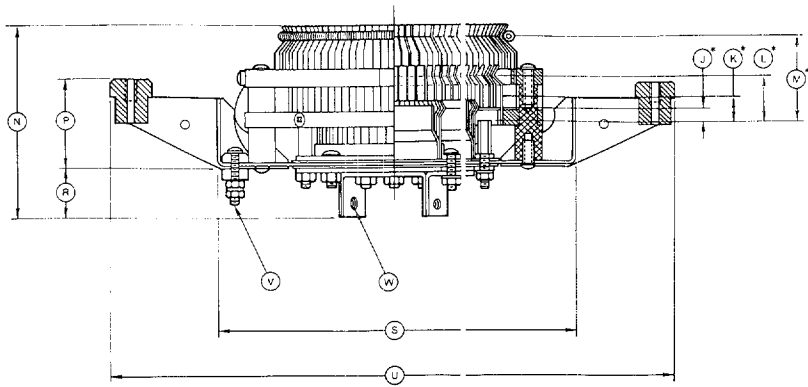
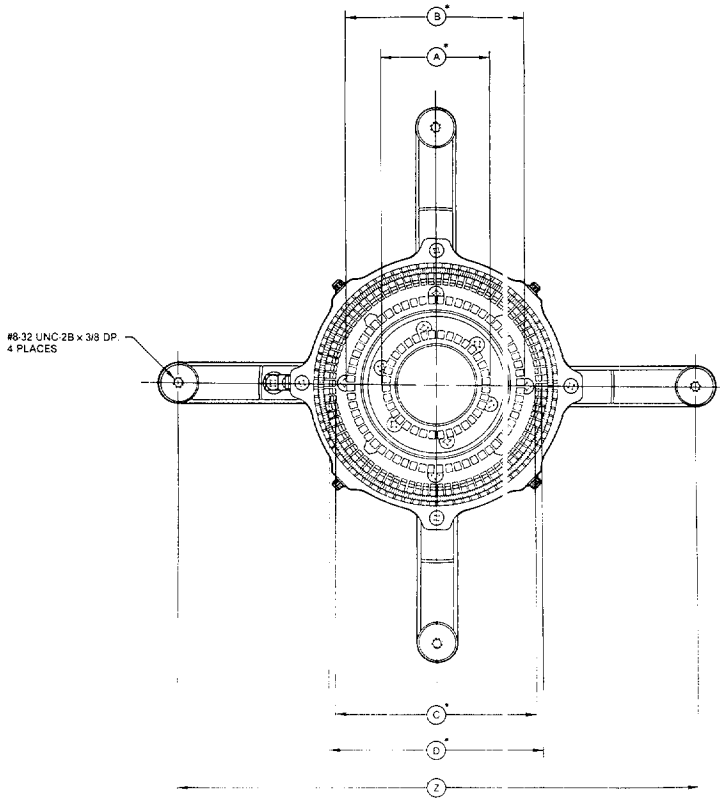




SK-320, SK-326



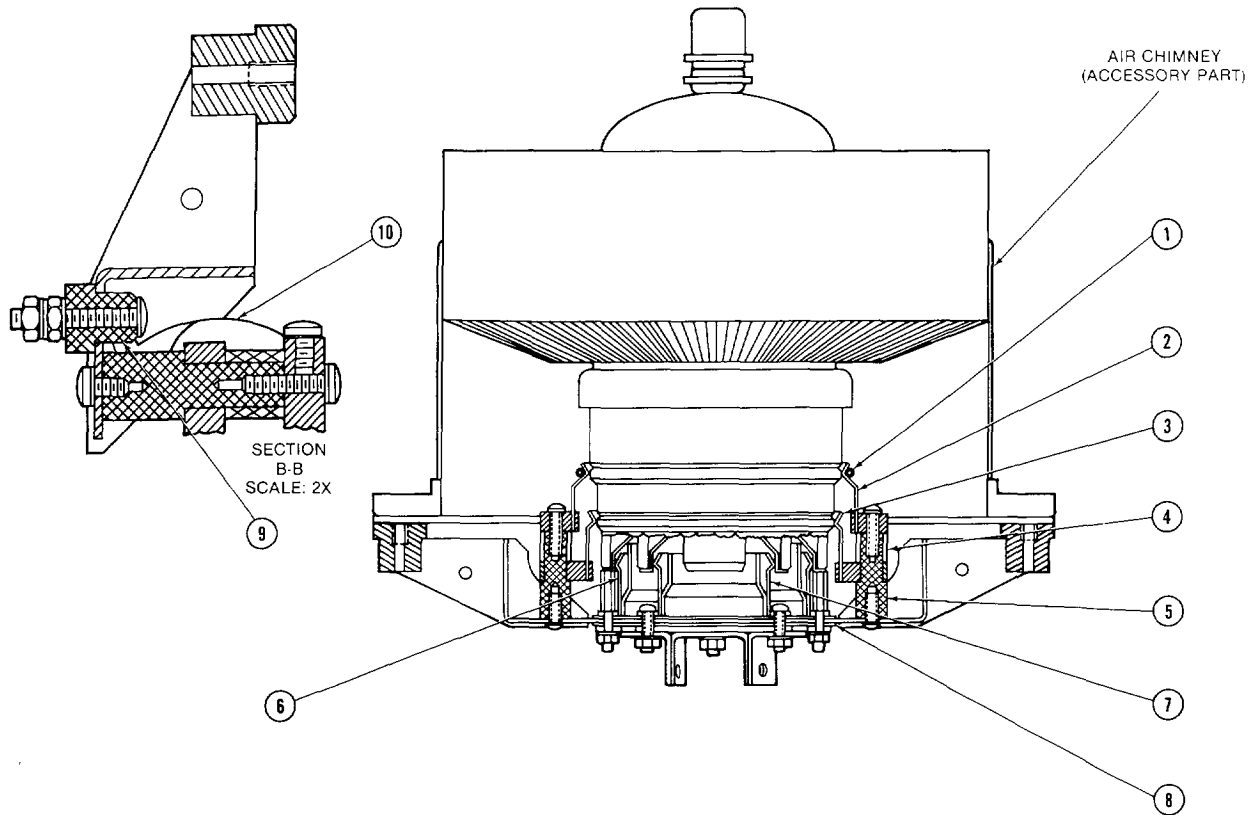
DIMENSIONAL DATA						
DIM	INCHES			MILLIMETERS		
	MIN	MAX	REF	MIN	MAX	REF
A	2.001	2.061		50.83	53.35	
B	3.251	3.311		82.58	84.10	
C	3.672	3.732		93.27	94.79	
D	3.880	3.940		98.55	100.08	
J	0.200	0.280		5.08	7.11	
K	0.336	0.432		8.53	10.97	
L	0.818	0.907		20.78	23.04	
M	1.559	1.699		39.60	43.15	
N	3.513	3.663		89.23	93.04	
P	1.519	1.605		38.58	40.77	
R	0.887	0.963		22.53	24.46	
S	6.720	6.785		170.69	172.34	
U	10.557	10.603		268.15	269.32	
V	6-32 UNC-2A STUD					
W	0.235	0.265		5.97	6.73	
X	3.000	3.030		76.20	76.96	
Y			1.575			40.01
Z	9.810	9.850		249.17	250.19	
BB			0.950			24.13

- NOTES:
1. REF DIMENSIONS ARE FOR INFO ONLY & ARE NOT REQUIRED FOR INSPECTION PURPOSES.
 2. TOLERANCES ARE NOT CUMULATIVE.
 3. DIMENSIONS ARE RADIUS UNLESS (*)CONTACT SURFACES.

REPLACEMENT PARTS FOR MAINTENANCE

SOCKET SK-320

PART#	DESCRIPTION	QUANTITY	PART#	DESCRIPTION	QUANTITY
① 149297	COLLET SPRING	1	⑥ 001838	OUTER FILAMENT COLLET ASSY.	1
② 115740	SCREEN GRID COLLET ASSY.	1	⑦ 001837	INNER FILAMENT COLLET ASSY.	1
③ 115738	CONTROL GRID COLLET ASSY.	1	⑧ 001820	FILAMENT COLLET INSULATOR	2
④ 015380	SLEEVE INSULATOR	4	⑨ 154176	BUSHING	1
⑤ 015379	POST INSULATOR	4	⑩ 115735	SCREEN CONTACT CONN.	1



CROSS-SECTION OF SK-320 SHOWING
4CX20,000A/8990 WITH SK-326



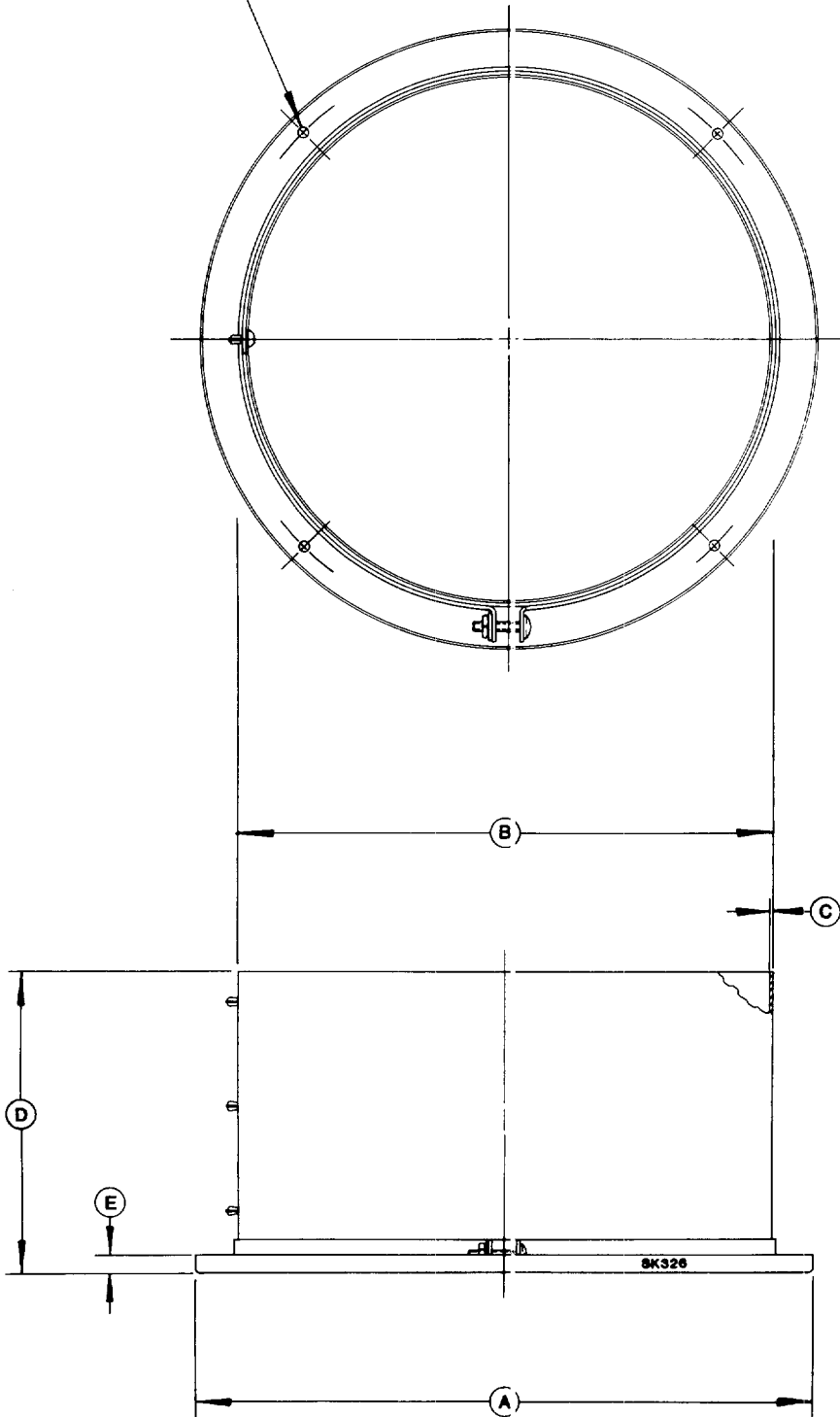
SK-320, SK-326

DIMENSIONAL DATA						
DIM	INCHES			MILLIMETERS		
	MIN	MAX	REF.	MIN.	MAX	REF.
A	10.375	10.437		263.52	265.10	
B	8.968	9.032		227.79	229.41	
C			.062			1.57
D	5.062	5.156		128.57	130.98	
E	.281	.343		7.14	8.71	
F			.173			4.39

F 4 HOLES EQ. SPACED
ON A 9.830 DIA. P.C.

NOTES:

1 REF DIMENSIONS ARE FOR INFO ONLY & ARE NOT REQUIRED FOR INSPECTION PURPOSES.



SK-326